



# Product Catalogue



# Welcome!

Energya lighting solutions provide the most reliable products selected from world class manufacturers to satisfy the customers' requirements.

Established in the early 1960's in the Kingdom of Saudi Arabia, specializing in the trading of electric material supplies. We are proud to be one of the pioneers in our field in KSA, the and the Middle East.

From our modest beginnings, we have now grown to be the premier vendor of cables & electric materials. With more than 50 years of experience in the industry, extensive regional coverage, well trained support staff and our diversified product range, we are proud to be YOUR trusted source for all YOUR electric material requirements.



HESHAM ELSEWEDY  
TRADING CO

شركة  
هشام السويدي للتجارة

# Table of Contents

<b>04</b>	<i>LED COB Downlight</i>
<b>06</b>	<i>LED SMD Downlight</i>
<b>08</b>	<i>LED Downlight HRD01</i>
<b>10, 12</b>	<i>LED 60x60 Panel</i>
<b>14</b>	<i>LED Balfonira</i>
<b>16</b>	<i>LED SMD Surface</i>
<b>18</b>	<i>COB Surface LED</i>
<b>20</b>	<i>Waterproof LED Tube T8</i>
<b>22</b>	<i>LED Tube T8 Lamp</i>
<b>24</b>	<i>GU10 LED Dimmable/Non-Dimmable</i>
<b>26, 28</b>	<i>LED Strip Lights</i>
<b>30, 32</b>	<i>LED Floodlights</i>
<b>34</b>	<i>LED Highbay HHB01</i>
<b>36</b>	<i>Microwave Sensor Recessed</i>
<b>38</b>	<i>Exit Light Double Sided</i>
<b>40</b>	<i>ENERGYA 3 LED Street Light</i>



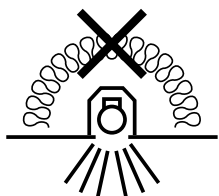
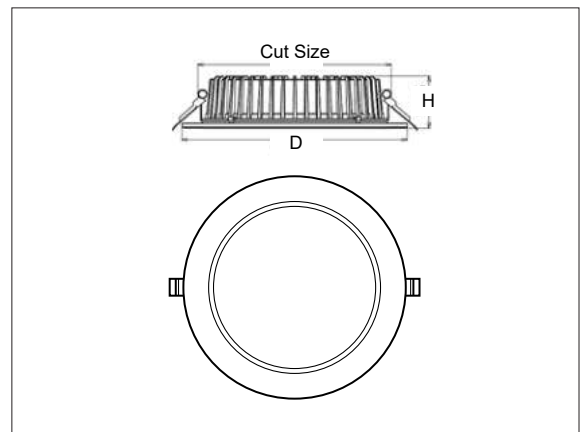
# **LED COB Downlight**

LED RECESSED COB DOWNLIGHT is a Recessed LED downlight with special super thin body design and has long Life time more than 50,000 hrs with best power consumption and Performance.

LED downlight especially designed to create general lighting solutions in houses, hotels, offices, retail and all other similar applications. It's equipped with high efficient electronic driver as per Saudi and international standards with high quality die-cast aluminum body. Unit provided with deep pure aluminum reflector with different beam angles, clear glass diffuser to provide high Light efficiency.

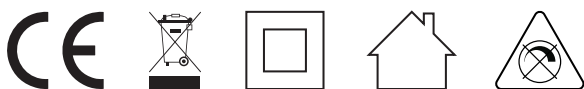
## General Specifications

Lamp type	Direct
lm/W	80
T <sub>(Kelvin)</sub>	3000/4000/6500 K
Ra	>80
V <sub>(AC)</sub>   Hz	100-240 V~   50/60 Hz
Df <sub>(cos φ1)</sub>	>0.9
T <sub>(°C)</sub>	-20 ~ 40 °C
IP	20/40/44
Mounting	Ceiling recessed
Switching Cycles	25000x
Lifetime (h)	50,000
LED Driver	remote CC
Body material	die-cast aluminum
Optic	glass semi-frost



**RoHS**

Order Code	P <sub>(Watt)</sub>	lm	∠	D (mm)	H (mm)	Cut Size (mm)	PCs/Ctn
351218-A00(01/02/03) EG	7	560	68°	90	45	∅ 70	100
351218-A00(04/05/06) EG	10	800	103°	120	50	∅ 100	50
351218-A00(07/08/09) EG	20	1600	93°	170	50	∅ 140	20
351218-A00(10/11/12) EG	30	2400	111°	220	50	∅ 200	20





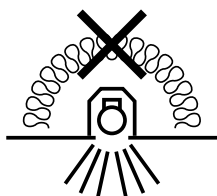
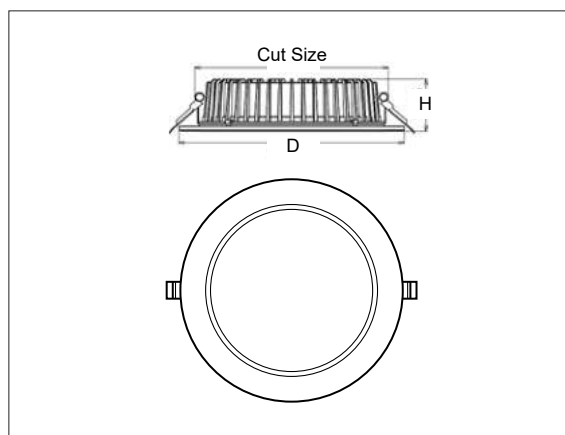
## **LED SMD Downlight**

LED SMD Recessed downlight with high quality Body and has long life time (25,000 hrs) with best power consumption and Performance.

LED downlight especially designed to create general lighting solutions in houses, hotels, offices, retail and all other similar applications. It's equipped with high efficient electronic driver as per Saudi and international standards. The housing is die-cast aluminum with PMMA. diffuser to provide high light efficiency.

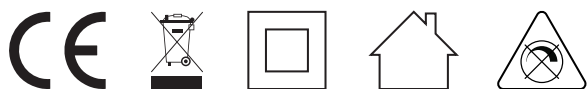
## General Specifications

Lamp type	Indirect
lm/W	80
T <sub>(Kelvin)</sub>	3000/4000/6500 K
R <sub>a</sub>	>80
V <sub>(AC)</sub>   Hz	100-240 V~   50/60 Hz
Df <sub>(cos φ1)</sub>	>0.9
T <sub>(°C)</sub>	-20 ~ 40 °C
IP	20
Mounting	Ceiling recessed
Switching Cycles	25000x
Lifetime (h)	25,000
LED Driver	built-in driver on board
Body material	stamping aluminum
Optic	Opal PC



**RoHS**

Order Code	P <sub>(Watt)</sub>	lm	°	D (mm)	H (mm)	Cut Size (mm)	PCs/Ctn
351218-A00(13/14/15) EG	7	560	105°	90	45	ø 70	100
351218-A00(16/17/18) EG	10	800	105°	120	50	ø 100	50
351218-A00(19/20/21) EG	15	1200	105°	170	50	ø 140	20
351218-A00(22/23/24) EG	30	2400	105°	220	50	ø 200	20





# **LED Downlight HRD01**

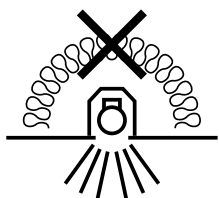
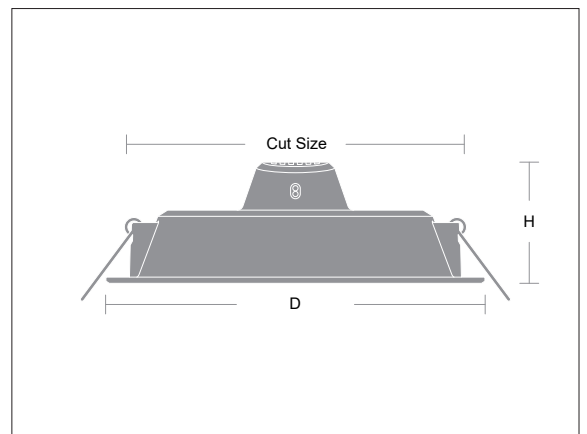
LED SMD Recessed downlight with high quality Body and has long life time (25,000 hrs) with best power consumption and Performance.

LED downlight especially designed to create general lighting solutions in houses, hotels, offices, retail and all other similar applications. It's equipped with high efficient electronic driver as per Saudi and International standards. The housing is made of polypropene with PC diffuser to provide the best light efficiency.



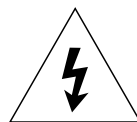
## General Specifications

Lamp type	Indirect
lm/W	90-100
T <sub>(Kelvin)</sub>	3000/4000/6500 K
Ra	>80
V <sub>(AC)</sub>   Hz	200-240 V~   50/60 Hz
Df <sub>(cos φ1)</sub>	>0.9
T <sub>(°C)</sub>	-20 ~ 40 °C
IP	20
Mounting	Ceiling recessed
Switching Cycles	12000x
Lifetime (h)	25,000
LED Driver	built-in
Body material	Polypropylene (PP)
Optic	Opal PC



**RoHS**

Order Code	P <sub>(Watt)</sub>	lm	∠	D (mm)	H (mm)	Cut Size (mm)	PCs/Ctn
350010-000(01/02/03)-LL	6	540	102°	92	50	∅ 70	40
350010-000(04/05/06)-LL	10	900	102°	112	50	∅ 100	30
350010-000(07/08/09)-LL	15	1400	102°	178	53	∅ 140	20
350010-000(10/11/12)-LL	22	2300	102°	216	58	∅ 200	10



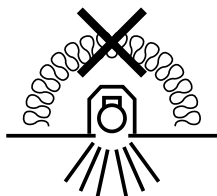
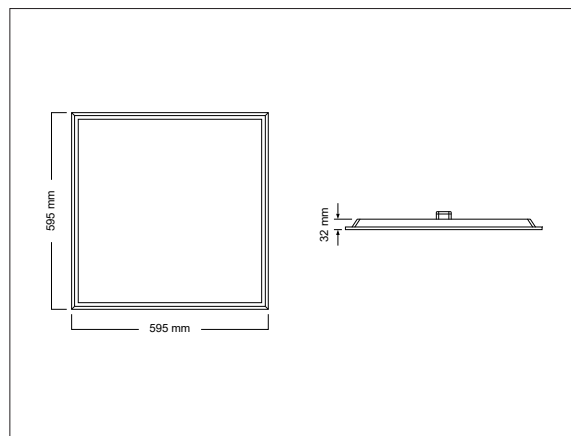
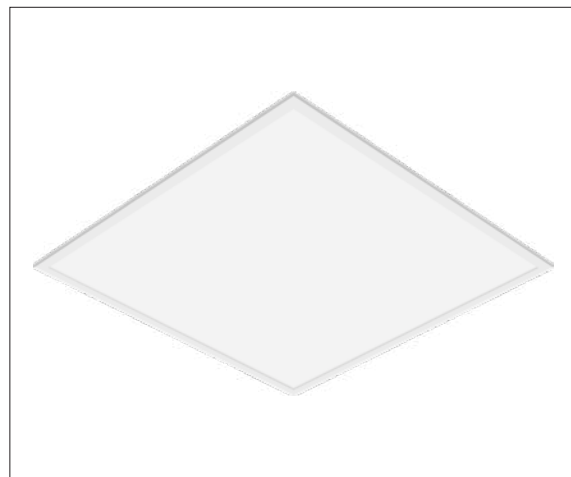
# LED 60x60 Panel

LED Panel is the new technology to replace conventional T8 and TS general lighting luminaires, based on the most advanced LED chips and drivers, it has long life time (50,000 hrs) with best power consumption and Performance.

LED Panel especially designed to create general lighting solutions in offices, hotels, hospitals schools and all other similar applications. It's equipped with high efficient electronic driver as per Saudi standards. The housing is made of aluminum with opal PMMA diffuser to provide high light efficiency.

## General Specifications

Lamp type	Indirect
lm/W	80
T <sub>(Kelvin)</sub>	6500 K
Ra	>80
V <sub>(AC)</sub>   Hz	100-240 V~   50/60 Hz
Df <sub>(cos φ1)</sub>	>0.9
T <sub>(°C)</sub>	-20 ~ 40 °C
IP	20/40/44
Mounting	recessed lay-in ceiling
Switching Cycles	25000x
Lifetime (h)	50,000
LED Driver	remote CC
Body material	Aluminium frame
Optic	Opal diffuser



**RoHS**

Order Code	P <sub>(Watt)</sub>	lm	°	L (mm)	W (mm)	height (mm)	PCs/Ctn
351218-A0043-EG	60	4800	120°	595	595	32	2



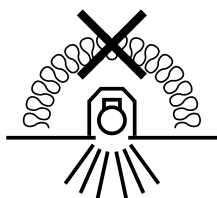
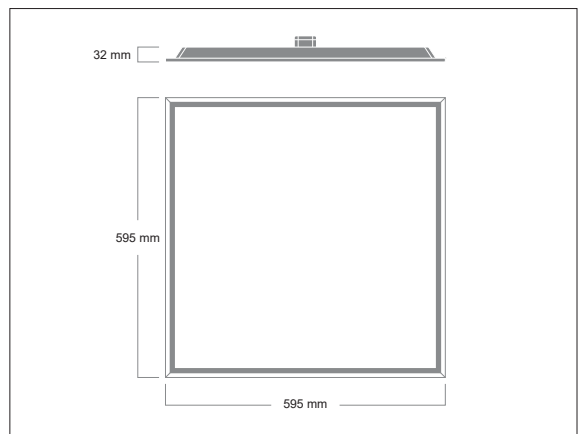
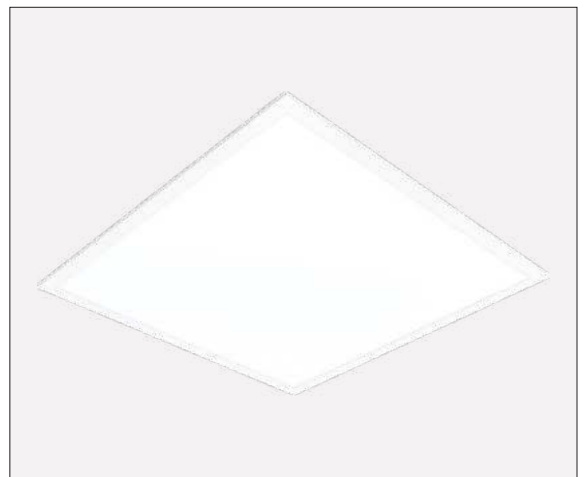
# LED 60x60 Panel

LED Panel is the new technology to replace conventional T8 and TS general lighting luminaries, based on the most advanced LED chips and drivers, it has long life time (50,000 hrs) with best power consumption and Performance.

LED Panel especially designed to create general lighting solutions in offices, hotels, hospitals schools and all other similar applications. It's equipped with high efficient electronic driver as per Saudi standards. The housing is made of aluminum with opal PMMA diffuser to provide high light efficiency.

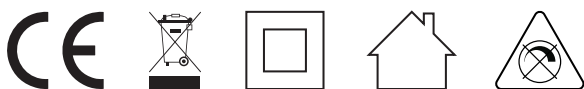
## General Specifications

Lamp type	Indirect
lm/W	100
T <sub>(Kelvin)</sub>	6500/4000 K
Ra	>80
V <sub>(AC)</sub>   Hz	200-240 V~   50/60 Hz
Df <sub>(cos φ1)</sub>	>0.9
T <sub>(°C)</sub>	-20 ~ 40 °C
IP	20
Mounting	recessed lay-in ceiling
Switching Cycles	25000x
Lifetime (h)	50,000
LED Driver	remote CC
Body material	Aluminium frame , SPCC
Optic	Opal diff. , PMMA lens



**RoHS**

Order Code	P <sub>(Watt)</sub>	lm	∠	L (mm)	W (mm)	height (mm)	PCs/Ctn
350010-000(13/14)-LL	40	4000	110°	595	595	32	5



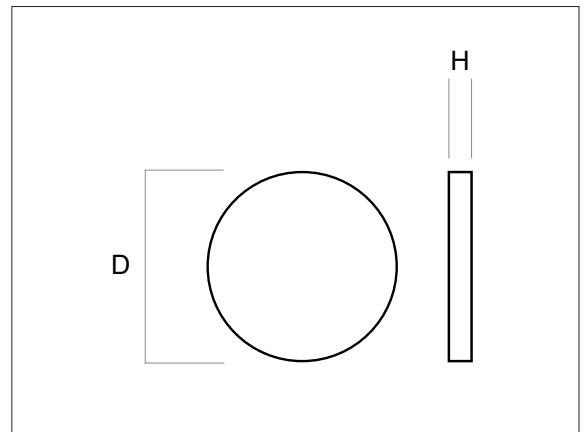
# LED Balfonira

LED Surface Decorative Downlight with high quality body and has long life time (50,000 hrs) with best power consumption and Performance.

Especially designed to create general lighting solutions In houses, hotels, offices, retail and all other similar applications. It's equipped with high efficient electronic driver as per Saudi and International standards. The housing is die-cast aluminum with PMMA .diffuser to provide high light efficiency.

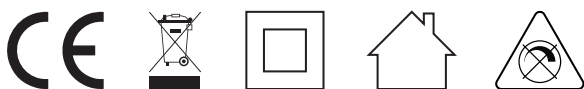
## General Specifications

Lamp type	Indirect
lm/W	80
T <sub>(Kelvin)</sub>	3000/4000/6500 K
Ra	>80
V <sub>(AC)</sub>   Hz	100-240 V~   50/60 Hz
Df <sub>(cos φ1)</sub>	>0.9
T <sub>(°C)</sub>	-20 ~ 40 °C
IP	20
Mounting	Surface-mount
Switching Cycles	25000x
Lifetime (h)	50,000
LED Driver	remote CC
Body material	Aluminium
Optic	Opal PC



## RoHS

Order Code	P <sub>(Watt)</sub>	lm	°	PF	D (mm)	H (mm)	PCs/Ctn
351218-A00(49/50/51)-EG	36	2880	116°	> 0.9	225	50	20





## **LED SMD Surface**

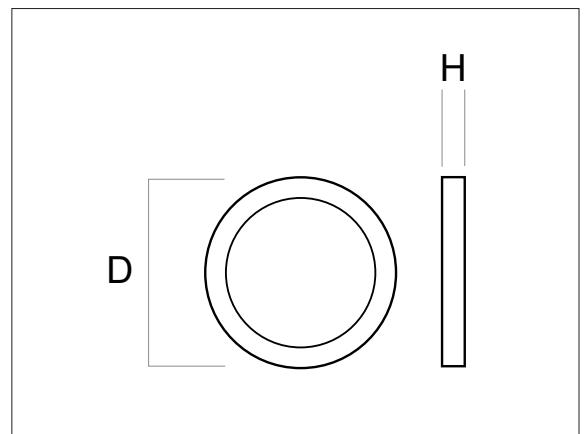
LED SURFACE SLIM DOWNLIGHT is surface LED downlight with special super thin body design and has long life time (50,000 hrs) with best power consumption and Performance.

LED downlight especially designed to create general lighting solutions In houses, hotels, offices, retail and all other similar applications. It's equipped with high effecient electronic driver as per Saudi and International standards. It has a wide beam angle. The housing is die-cast aluminum with PMMA diffuser to provide high light effecienty.



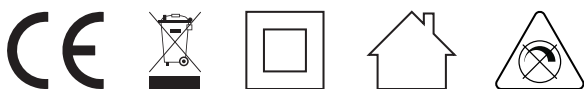
## General Specifications

Lamp type	Indirect
lm/W	80
T <sub>(Kelvin)</sub>	3000/4000/6500 K
Ra	>80
V <sub>(AC)</sub>   Hz	100-240 V~   50/60 Hz
Df <sub>(cos φ1)</sub>	>0.9
T <sub>(°C)</sub>	-20 ~ 40 °C
IP	20
Mounting	Surface-mount
Switching Cycles	25000x
Lifetime (h)	50,000
LED Driver	remote CC
Body material	Aluminium
Optic	LGP , Opal diffuser



## RoHS

Order Code	P <sub>(Watt)</sub>	lm	°	PF	D (mm)	H (mm)	PCs/Ctn
351218-A00(46/47/48)-EG	20	1600	105°	> 0.9	200	25	20





## **COB Surface LED**

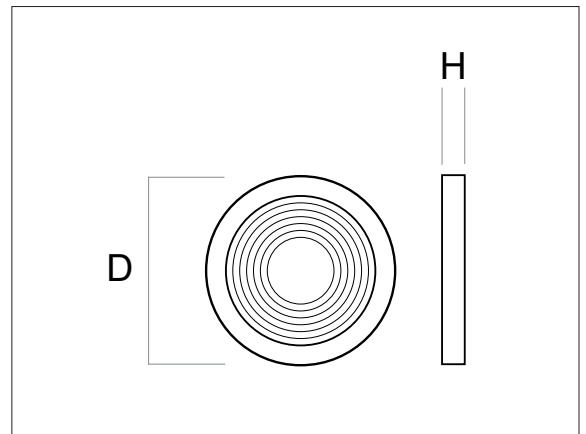
LED COB Surface fixture, bright light, wide angle, no flicker, starts quickly, die-casting aluminium body designed to make great heat dissipation for a long lasting service life.

Anti-glare frosted design, toughened glass, reflective cup for a softer and more natural light. Suitable for various indoor uses, can be installed in homes, offices, hotels, corridors, retail and more.



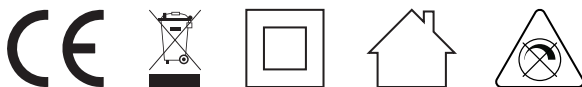
## General Specifications

Lamp type	Indirect
lm/W	80
T <sub>(Kelvin)</sub>	3000/4000/6500 K
Ra	>80
V <sub>(AC)</sub>   Hz	110-240 V~   50/60 Hz
Df <sub>(cos φ1)</sub>	>0.9
T <sub>(°C)</sub>	-20 ~ 40 °C
IP	20
Mounting	Surface-mount
Switching Cycles	25000x
Lifetime (h)	50,000
LED Driver	remote CC
Body material	Aluminium
Optic	Clear glass with Mid. frost



## RoHS

Order Code	P <sub>(Watt)</sub>	lm	∠	PF	D (mm)	H (mm)	PCs/Ctn
351218-A0070-EG	20	1600	120°	> 0.9	170	40	20
351218-A0071-EG	30	2400	120°	> 0.9	220	40	20
351218-A0072-EG	40	3200	120°	> 0.9	300	40	10



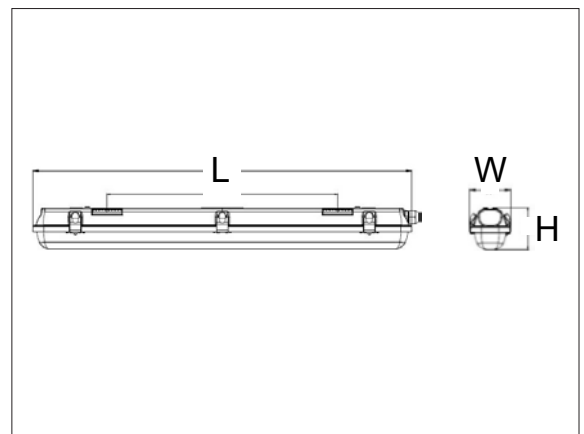
# Waterproof LED Tube T8

Surface/Wall LED tube T8 water proof luminaire specially designed to create general lighting solutions in parking areas, retail, hospitals, public rest house, and all other similar applications.

The luminaire is not equipped with with ballasts. Conenction made as per Saudi and International standards. The diffuser is made of Polycarbonate and housing is made of high quality ABS. The luminaire has a high degree of protection against dust and water IP65 and impact protection IK06


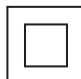
## General Specifications

Lamp type	Indirect
Housing	High Quality ABS
Optic	Transparent PC cover
IP	IP65
IK	IK06
Protection Class	Class II
T(°C)	-20 ~ 40 °C
Mounting	Surface-mount
Compliance	CB, IECCEE , SASO2902
Clips	Stainless Steel
Lamp Base	G13
No. of Lamps	2x T8 tube (empty)
Length	4ft
Connector	M16 cable gland
Wiring	0.5mm <sup>2</sup> Solid Copper Wire PVC 105 °C
Power Input	2 side power input tubes
Light Source	designed for LED tube



**RoHS**      **IK06**

Order Code	P <sub>(Watt)</sub>	No. of Lamps	∠	PF	D (mm)	H (mm)	PCs/Ctn
351218-A0060-EG	16-22	2x T8 tube 4ft (empty housing)	115°	1265	88	95	-

**CB**   **IP65**

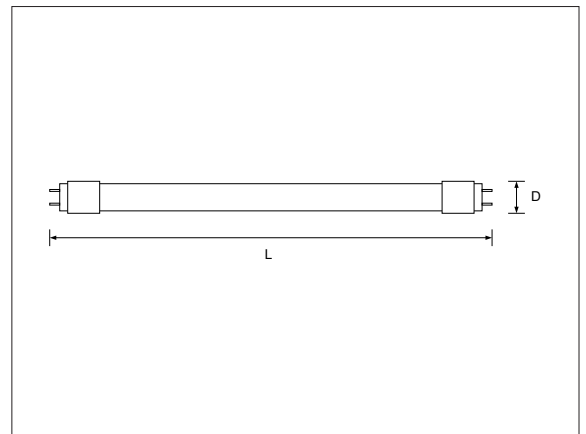
# LED Tube T8 Lamp

LED Glass tube T8 IP20 is a type of LED lamps used in fluorescent tube conventional luminaires to replace the traditional tubes. As compared to fluorescent tubes, the most important advantages of LED tubes are energy efficiency and long service life.

LED tubes are sometimes also referred to as "LED fluorescent tubes" but since the light actually comes from LED components and the tubes contains no fluorescent substance, then "LED tube" is more correct!

## General Specifications

Lamp type	Indirect
lm/W	100
T <sub>(Kelvin)</sub>	3000/4000/6500 K
Ra	>80
V <sub>(AC)</sub>   Hz	220-240 V~   50/60 Hz
Df <sub>(cos φ1)</sub>	>0.9
T <sub>(°C)</sub>	-20 ~ 40 °C
IP	20
Base	G13
Length	120cm (4ft) / 60cm (2ft)
Lifetime (h)	25,000
Switching Cycles	25000x
Body material	plastic cap
Optic	glass diffuser
Power Input	2 side power input tubes



## RoHS

Order Code	P <sub>(Watt)</sub>	lm	∠	PF	D (mm)	L (mm)	PCs/Ctn
351218-A00(28/44/29)-EG	20	2000	160°	> 0.9	25	1200	30
351218-A00(30/45/31)-EG	10	1000	160°	> 0.9	25	600	30



# **GU10 LED**

## **Dimmable/Non-Dimmable**

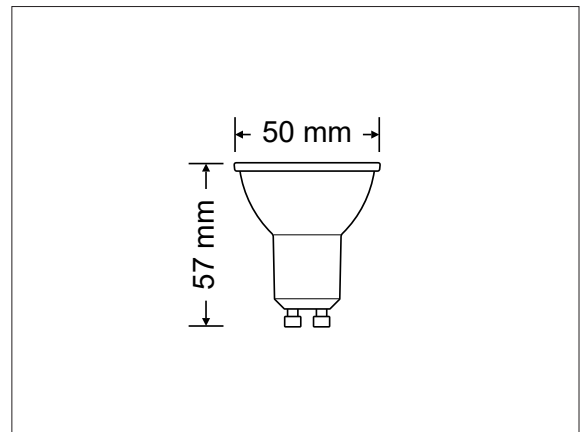
Perfect for consumers and contractors looking for LED solutions to replace halogen GU10 in the most efficient and economical way. Compact, long life and energy efficient. Exceptional value for money products that deliver high efficiency light output and are suitable for replacing traditional halogen lamps.

With a design reminiscing of the halogen look and a very narrow visible heat sink from the front, the lamps are ideal for a wide range of spotlights and down lights, all backed by a great warranty service for complete peace-of-mind.



## General Specifications

Lamp type	Direct
lm/W (total)	90
T(Kelvin)	2700/3000/4000/6500 K
Ra	>80
V <sub>(AC)</sub>   Hz	220-240 V~   50/60 Hz
T(°C)	-20 ~ 40 °C
IP	20
Base	GU10
Dimensions (mm)	50 x 57
Lifetime (h)	15,000
Switching Cycles	7,500x
Body material	plastic/aluminium
Optic	PMMA lens , 36°
Equiv. Halogen	50W



Order Code	P <sub>(Watt)</sub>	lm (total)	∠	PF	D (mm)	L (mm)	Dimmable	PCs/Ctn
350010-000(45/46/47/48)-LL	7	600-635	36°	> 0.5	50	57	NO	100
350010-000(49/50/51)-LL	7.2	650-675	36°	> 0.7	50	57	YES	100





## **LED Strip 220V**

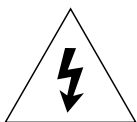
**(2-Wire / 4-Wire)**

LED Strip light has become a solution to replace T5 & T8 cove light. Energya LED Strip has long lifetime with best power consumption and efficiency light output.

It is specially designed for Indoor cove light and other similar applications.

### General Specifications

Lamp type	Indirect
lm/W (total)	80
T <sub>(Kelvin)</sub>	3000/4000/6500K Green, Mauve, Blue RGB
Ra	>80
V <sub>(AC)</sub>   Hz	220-240 V~   50/60 Hz
T <sub>(°C)</sub>	-20 ~ 40 °C
IP	IP20 Connector / IP65 Strip
P <sub>(Watt)</sub>	9W/m
LEDs/m	120/m (Mono Color) 72/m (RGB)
Cut Spacing	1m
Body material	PVC
Qty per reel	50m



order code.  
351218-A0039-EG  
Power cord with 2-pin  
for mono color



order code.  
351218-A0040-EG  
Power cord with 4-pin  
for RGB with remote control

Order Code	P <sub>(Watt)</sub>	lm/m (total)	CCT	W (mm)	L (mm)	Dimmable	PCs/Ctn
351218-A00(32/33/34)-EG	9	720	3000/4000/6500K	12	50,000	Yes	1 reel
351218-A00(35/36/37)-EG	9	-	Green/Blue/Mauve	12	50,000	Yes	1 reel
351218-A0038-EG	9	-	RGB	12	50,000	Yes	1 reel



# **LED Strip Light** **Dimmable (Wireless)**

LED Strip light has become a solution to replace T5 & T8 cove light. Energya LED Strip has long lifetime with best power consumption and efficiency light output.

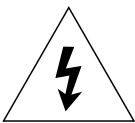
It is specially designed for Indoor cove light and other similar applications.

## General Specifications

Lamp type	Indirect
lm/W (total)	100
T <sub>(Kelvin)</sub>	3000/4000/6500K
R <sub>a</sub>	>80
V <sub>(AC)</sub>   Hz	220-240 V~   50/60 Hz
T <sub>(°C)</sub>	-20 ~ 45 °C
IP	IP20 Connector / IP65 Strip
P <sub>(Watt)</sub>	12W/m (180 LEDs/m)
	8W/m (120 LEDs/m)
Cut Spacing	0.5m
Body material	PVC
Qty per reel	50m

### Feature Highlights

1. Anti UV PVC , >90% light transmittance
2. flame retardant
3. High Quality 2835 LED Chip
4. Short cutting every 0.5m
5. Automatic production
6. Higher brightness and efficacy
7. Without copper wire with consistency connection



order code. 350010-00044-LL  
LED controller with integrated pins for wireless LED strip.  
no additional pin required for connection. easy installation.

Order Code	P <sub>(Watt/m)</sub>	lm/m (total)	LEDs/m	W (mm)	L (mm)	Dimmable	PCs/Ctn
350010-000(38/39/40)-LL	12	1200	180 (dual row)	15	50,000	Yes	1 reel
350010-000(41/42/43)-LL	8	800	120 (dual row)	15	50,000	Yes	1 reel



**RoHS**

# LED Floodlight

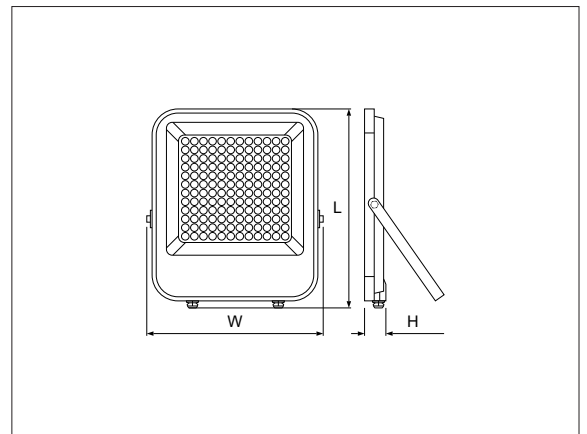
LED flood lights are ideal solution to illuminate outdoor open areas.

It is equipped with high quality electronic driver and protected against sand and water IP65/IP66 and comply with Saudi and International standards.

The housing is made of die-cast aluminum available with various power and lumen packages start from 4000 up to 30,000lm.

## General Specifications

Lamp type	Direct
lm/W	80
T <sub>(Kelvin)</sub>	4000/6500 K
Ra	>80
V <sub>(AC)</sub>   Hz	220-240 V~   50/60 Hz
Df <sub>(cos φ1)</sub>	>0.9
T <sub>(°C)</sub>	-20 ~ 50 °C
IP	IP66
Mounting	Surface mounted
Switching Cycles	25000x
Lifetime (h)	30,000
LED Driver	built-in
Body material	die-cast aluminum
Optic	PC lens



## RoHS

Order Code	P <sub>(Watt)</sub>	lm	∠	L (mm)	W (mm)	H (mm)	PCs/Ctn
351218-A00(52/53) EG	50	4000	90°	230	205	35	20
351218-A00(54/55) EG	100	8000	90°	280	255	35	20
351218-A00(56/57) EG	150	12000	90°	310	280	40	10
351218-A00(58/59) EG	200	16000	90°	330	300	40	10





# **LED Floodlight HFD01**

LED flood lights are ideal solution to illuminate outdoor open areas.

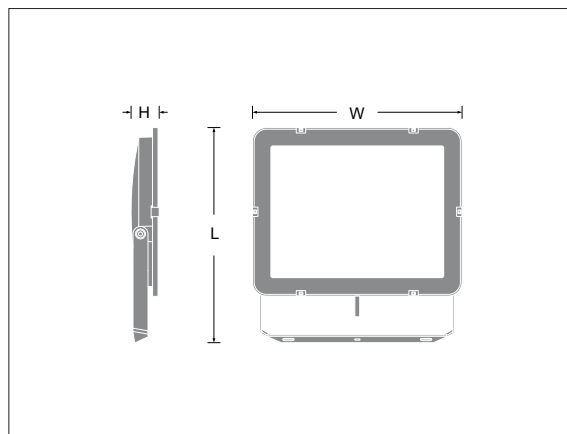
It is equipped with high quality electronic driver and protected against sand and water IP65/IP66 and comply with Saudi and International standards.

The housing is made of die-cast aluminum available with various power and lumen packages start from 4000 up to 30,000lm.



## General Specifications

Lamp type	Direct
lm/W (total)	100
T <sub>(Kelvin)</sub>	3000/4000/6500 K
Ra	>80
V <sub>(AC)</sub>   Hz	120-240 V~   50/60 Hz
Df <sub>(cos φ1)</sub>	>0.9
T <sub>(°C)</sub>	-20 ~ 50 °C
IP	IP65
Mounting	Surface mounted
Switching Cycles	12500x
Lifetime (h)	25,000
LED Driver	built-in
Body material	die-cast aluminum
Optic	Clear glass



## RoHS

Order Code	P <sub>(Watt)</sub>	lm <sub>(total)</sub>	∠	L (mm)	W (mm)	H (mm)	PCs/Ctn
350010-000(15/16/17)-LL	50	5,000	110°	173.5	200	28	-
350010-000(18/19/20)-LL	100	10,000	110°	220	300	42.3	-
350010-000(21/22/23)-LL	150	15,000	110°	270	335	43	-
350010-000(24/25/26)-LL	200	20,000	110°	300	390	49	-
350010-000(21/22/23)-LL	300	30,000	110°	380	480	54.5	-



**IP65 RoHS**



# **LED**

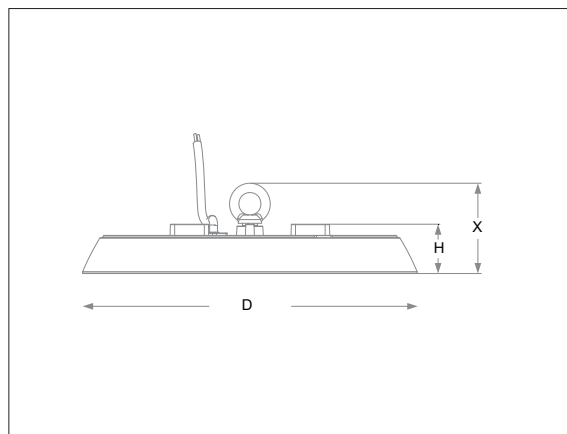
## **Highbay HHB01**

Energya offers Value range of high bay LED luminaires suited for commercial and industrial applications. Our round high bays are made with die-cast aluminium material and specifications to variety of application.

Our continuous improvements and innovations has allowed us to introduce safe and high technology products with low maintenance cost. All our luminaires are tested to ensure performance in high temperature, guarantying a long life LED and high profitability.

## General Specifications

Lamp type	Direct
lm/W (total)	100
T(Kelvin)	3000/4000/6500 K
Ra	>80
V <sub>(AC)</sub>   Hz	120-240 V~   50/60 Hz
Df (cos φ1)	>0.9
T(°C)	-20 ~ 50 °C
IP	IP65
Mounting	Surface mounted
Switching Cycles	1 5000x
Lifetime (h)	30,000
LED Driver	built-in
Body material	die-cast aluminum
Optic	Clear glass



Order Code	P <sub>(Watt)</sub>	lm <sub>(total)</sub>	∠	D (mm)	H (mm)	X (mm)	PCs/Ctn
350010-000(30/31)-LL	150	15,000	110°	360	53	98	-
350010-000(33/34)-LL	200	20,000	110°	220	53	98	-
350010-000(35/36)-LL	250	25,000	110°	395	60.5	96.5	-





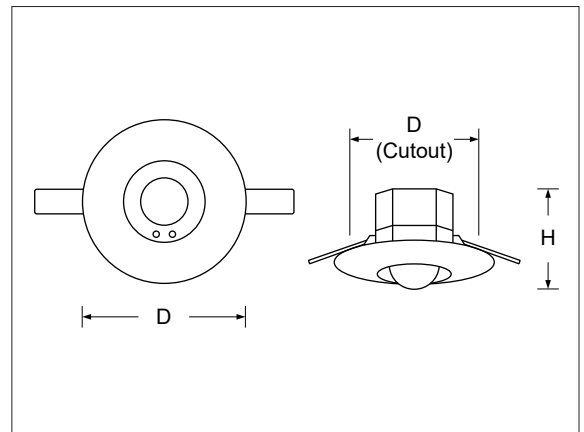
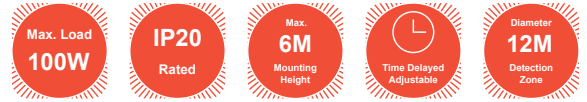
## ***Microwave Sensor Recessed***

Microwave motion sensor compatible with a variety of luminaires, suited for commercial, residential and industrial applications.

Fast response, smart switch and simple wiring, it features 360-degree detection large sensing range and long distance, premium ABS material body housing with flame retardant enclosure for durability.

## General Specifications

Model	TCZ-9900
P <sub>(Watt)</sub>	≤1W (Standby)
V <sub>(AC)</sub>   Hz	90-265 V~   50/60 Hz
T <sup>(°C)</sup>	-20 ~ 45 °C
IP	IP20
Loading	LED≤100W ≤3 Lamp
Frequency Range	5.8GHz ± 75MHz ISM
Emitter Power	<0.5mW
Detection Zone	Ø12M - 6M (DxH)
Sensitive Angle	Ceiling: 360°, Wall: 180°
Sensitive Distance	1-8M Adjustable
Star Lux	≤2/≤25/≤2000Lux Adjustable
Time Delayed	3secs/45secs/4mins Adjustable
Motion Detection	0.5 - 3M/sec
Mounting Height	6M Max.



## RoHS

Order Code	Max. Load (LED)	Time Delayed	Cutout (mm)	D (mm)	H (mm)	PCs/Ctn
351218-A0075-EG	100W (≤ 3lamps)	3secs/45secs/4mins (Adjustable)	85	100	33	50



## **Exit Light Double Sided**

Conventional 2W LED emergency luminaire stand-by lighting can be mounted on ceiling with pictograms inside building. Double sided, bright and durable, framed with high quality aluminum and two hanging rings for installation convenience.

Equipped with high quality glass or plastic panel, custom printed pattern, different indicators and high capacity battery for long and steady lighting.

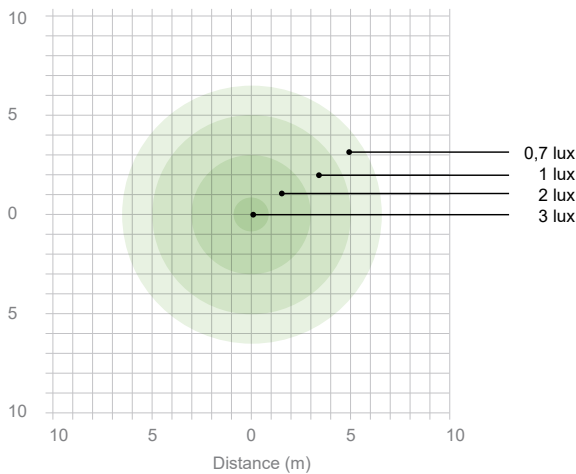


## General Specifications

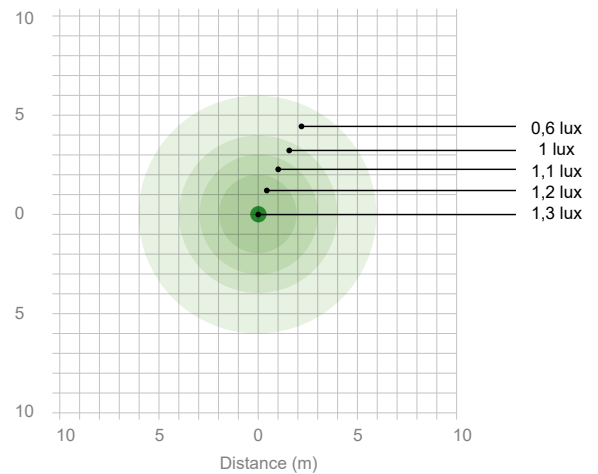
Luminaire	Exit Luminaire
V <sub>(AC)</sub>   Hz	230 V~   50/60 Hz
Mounting	on ceiling, dangling
Visual Range	25M
Battery Type	Ni-Mh
Operation	Stand by / Permanent
Duration	1-3 h
Input Current	15 mA



## RoHS



Light distribution map of 2 W lighting unit measured from 5 meters height.



Light distribution map of 2 W lighting unit measured from 8 meters height.

Order Code	P <sub>(Watt)</sub>	Backup Duration (hours)	Battery	W (mm)	H (mm)
351218-A0075-EG	2	1-3	Ni-Mh	355	145





## **ENERGYA 3**

# **LED Street Light**

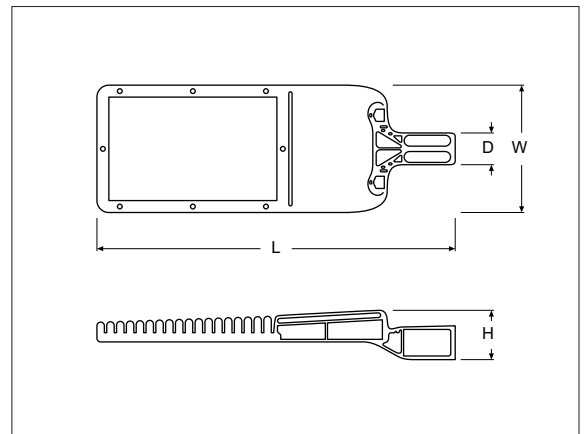
Innovative and attractive appearance design, with High Quality die-cast aluminium housing and frame. Tool free opening, power automatically switches off when opening.

Durable LED lights with no flicker, Energy efficient, with Long Life that can last more than 100,000 hours. Dimming option available, 1-1 OV DC or PWM Signal or Timer. Surge protection 1 OKV to 20KV. The IP Rating can achieve IP66 and vandal proof IK08. Widely used in Street, Highway, Parking area, Industries areas.



## General Specifications

LED Type	LED High Power
LED Chip	Philips Lumileds
lm/W	>125
T <sub>(Kelvin)</sub>	3000/4000/6500 K
Ra	>70
V <sub>(AC)</sub>   Hz	100-277 V~   50/60 Hz
Df <sub>(cos φ1)</sub>	>0.95
T <sub>(°C)</sub>	-40 ~ 50 °C
IP	IP66
IK	IK08
Lifetime (h)	100,000
LED Driver	Philips Xitanium
Body Material	die-cast aluminum
Assembling Height	4-7M
Optic	150x70°



Order Code	P <sub>(Watt)</sub>	lm	∠	L (mm)	W (mm)	H (mm)	D (mm)
ENERGYA3-100	100	12500	150x70°	622	320	120	60
ENERGYA3-150	150	18750	150x70°	720	320	120	60
ENERGYA3-200	200	25000	150x70°	720	320	120	60
ENERGYA3-200T	200	25000	150x70°	720	320	120	60
ENERGYA3-250	250	31250	150x70°	720	320	120	60
ENERGYA3-300	300	37500	150x70°	902	320	120	60



# We Offer Much More.

Energya is a leading regional multi disciplinary group with an extended portfolio operating in the following domains:-

- Manufacturing.
- Retail & Distribution.
- Turnkey Projects.
- Education.
- Real Estate.
- Financial Services.

Energya Retail & Distribution is a proud member of Energya Group. ER&D is a group of companies that distribute all types of power & telecom cables & electrical products to all customer segments. We provide the most reliable products selected from world class manufacturers to satisfy the customers' requirements



HESHAM ELSEWEDY  
TRADING CO

شركة  
هشام السويدي للتجارة

# Contact Us

**Hesham El Sewedy Trading Co.**

**Location**

*Baladiya Street, Al Azizia Dist., P.O. Box. 900 Jeddah 21421, Saudi Arabia*

---

**Telephone**

+966 12 66 44 350

---

**Website**

[www.el-sewedy.com](http://www.el-sewedy.com)

---

