



LOAD CENTER CATALOGUE

OPTIMIZING POWER DISTRIBUTION



TABLES OF CONTENTS

▶ Introduction	4
▶ Product features	5
▶ Body of galvanized sheet	6
▶ RAL9003 color	6
▶ Material and protection	6
▶ Versatility and aesthetics	6
▶ Panel door	7
▶ Plastic latch lock	7
▶ Mirror	7
▶ Galvanized steel for pan assembly	8
▶ Pan assembly with busbar	9
▶ Knockout details	10
▶ Technical Data	11
▶ Breakers	14





INTRODUCTION

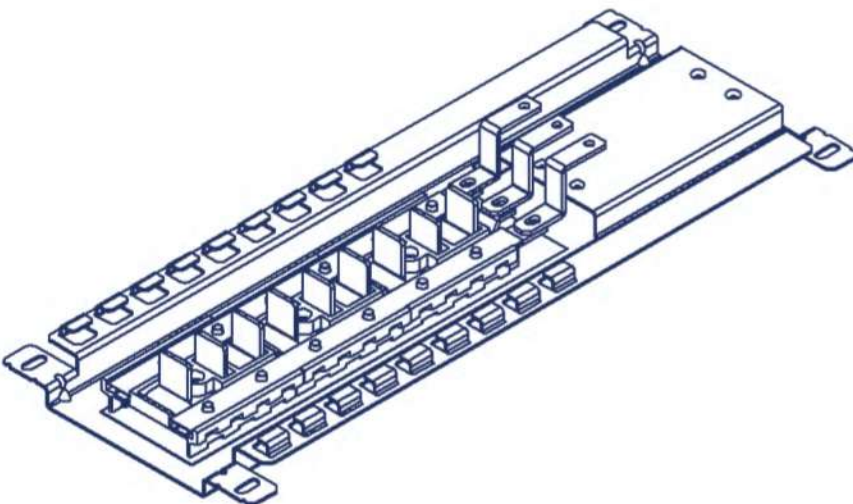
Welcome to Energyya, a leading manufacturer of Low Voltage Electrical Panel Boards based in Saudi Arabia. We are proud to introduce our latest product - Energyya Load Centre.

Energyya Load Centre is designed for residential and light commercial applications, serving as a critical component in distributing electricity supplied by the utility company throughout the home or building . Each branch circuit within the Load Centre is protected by a circuit breaker, ensuring safety and reliability.

Our Load Centre is not just functional, but also designed with aesthetics in mind. It seamlessly blends with your home or office decoration, providing a clean and professional look. Moreover, it is easy to install and operate, making it a perfect choice for both new constructions and renovations.

At Energyya, we understand that every home and business is unique. That is why our Load Centre is customizable to meet the specific needs of your space. Whether you have a small apartment or a large commercial building, we have a solution that fits.

In summary, the Energyya Load Centre is a testament to our commitment to providing high-quality, innovative electrical panel solutions. Experience the difference with Energyya's Load Centre - where quality meets innovation.







PRODUCT FEATURES

Reliable Adjusting Mechanism

Powder Coated

Cable Lancing

Neutral terminals

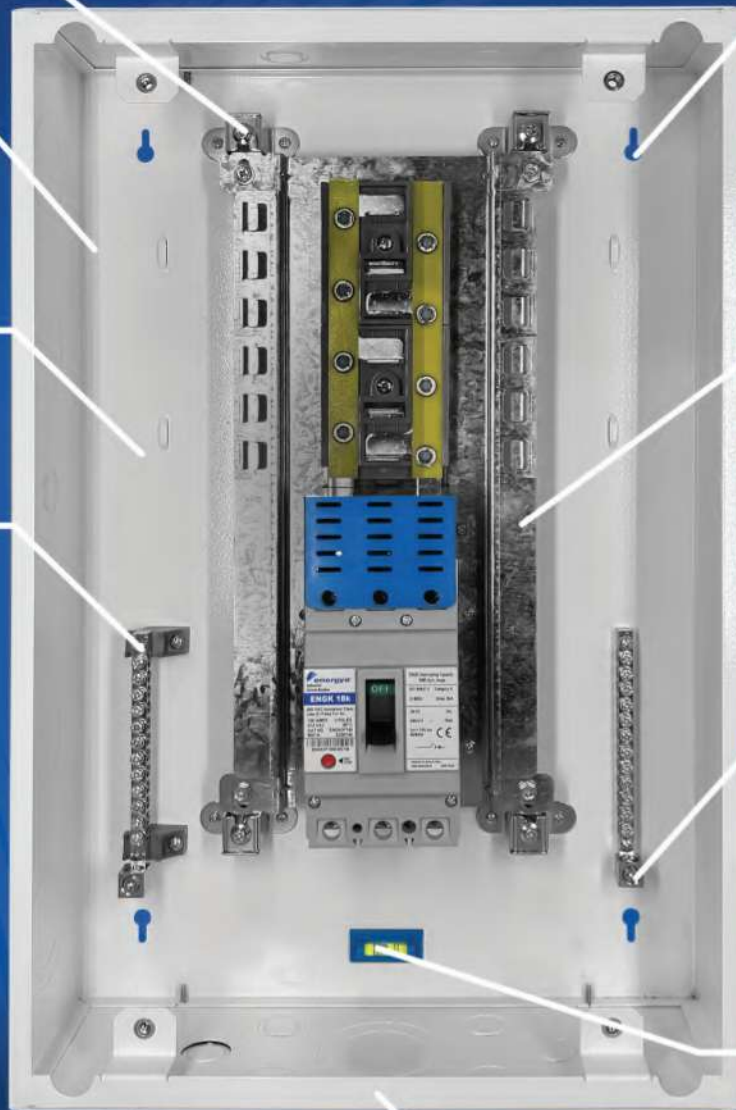
Key Holes for Wall Mounting

Pan Assembly

Earth Terminal

Spirit level for maintain straight installation

Top & Bottom removable gland with various knockouts sizes for easy cable entry





BODY OF GALVANIZED SHEET WITH RAL9003

RAL9003 COLOR:

The RAL9003 color, also known as signal white, belongs to the RAL Classic Color System. This color is widely used for varnish and powder coating, making it suitable for various applications, including electrical panel bodies. It is known for its aesthetic appeal and versatility in blending well with different environments.

MATERIAL AND PROTECTION:

The electrical panel body is typically made of galvanized steel sheet, providing durability and protection. The RAL9003 color coating on the body offers an additional layer of protection against environmental factors. This makes the panel suitable for both indoor and outdoor installations in non-saline environments, providing an elevated level of protection against dust and water ingress.

VERSATILITY AND AESTHETICS:

The use of RAL9003 color on the electrical panel body allows for seamless integration into various settings, maintaining a neat and organized appearance. This color choice is particularly beneficial for applications where aesthetics and visual harmony are important considerations.

In summary, the Electrical Panel Body Galvanized Sheet with RAL9003 offers the advantages of durability, environmental protection, and aesthetic appeal, making it a versatile and reliable choice for both indoor and outdoor electrical installations.





PANEL DOOR

An electrical panel door, particularly one made from galvanized iron sheet and painted, offers several advantages:

PROTECTION:

The door provides a protective cover for the electrical components inside the panel, preventing accidental contact and protecting the components from dust and debris.

SECURITY:

The door can be locked to prevent unauthorized access to the electrical components inside the panel.

INSULATION:

The door can provide a level of thermal insulation, protecting the electrical components inside the panel from extreme temperatures.

A PLASTIC LATCH LOCK:

This latch lock is designed to provide security and ease of use.

MIRROR:

Eibla utilizes internal mirrors to enhance safeguarding of electrical components against external elements like dust and water, as well as to prevent unauthorized access to the panel.

This design also facilitates effortless disassembly and installation for maintenance purposes ensuring convenient access to electrical circuit breakers.



A (GALVANIZED IRON) PAN ASSEMBLY :

DURABILITY:

Galvanized Iron is known for its durability and resistance to rust and corrosion, making it an excellent choice for environments where the electrical panel may be exposed to moisture or harsh conditions.

AESTHETICS:

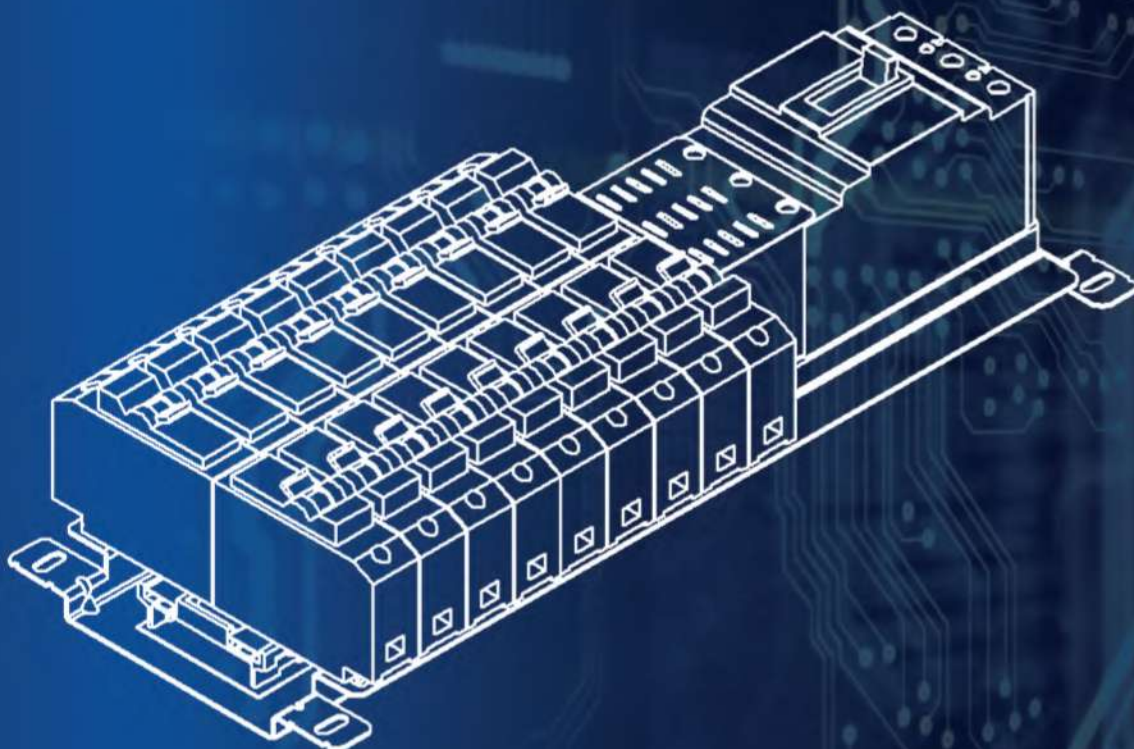
They improve the appearance of the electrical panel by concealing the wiring and providing a clean, professional look.

SUPPORT:

The pan Asswmbly provides a solid and secure surface for mounting various electrical components, such as circuit breakers, switches, and wiring.

SAFETY:

By providing a secure and insulated surface, the pan Asswmbly helps to reduce the risk of electrical shock.





PAN ASSEMBLY BUSBAR

The Pan Assembly Busbar is a crucial component in electrical distribution systems. It serves as a junction between the incoming power source and the outgoing terminals of the system. Here are some of its advantages:

EFFICIENT POWER DISTRIBUTION:

The Pan Assembly Busbar collects electric current from incoming terminals and distributes it to various outgoing terminals, ensuring efficient power distribution.

SAFETY:

The Pan Assembly Busbar is designed to be electrically safe up to IP 60 inside the cabinet. This means it provides an elevated level of protection against dust and water, enhancing the safety of the electrical system.

SPACE SAVING:

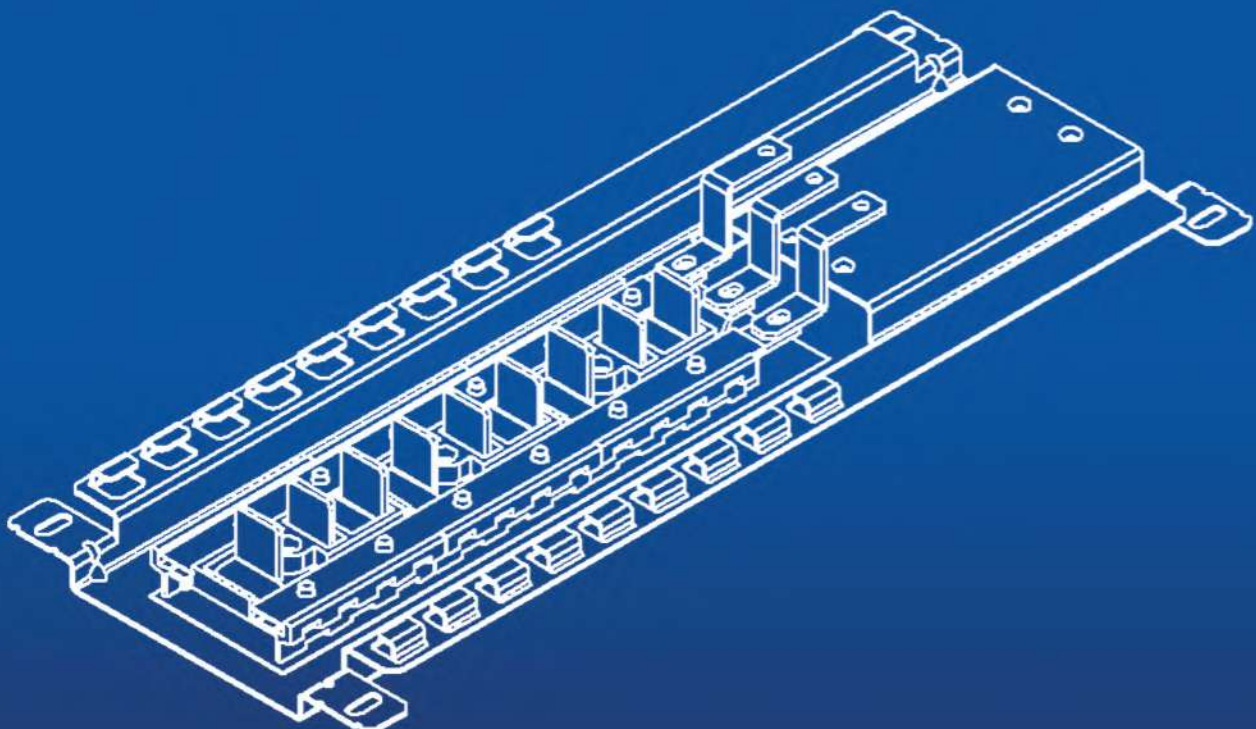
The use of a Pan Assembly Busbar drastically reduces the space required inside the cabinet. This makes it an ideal solution for compact electrical panels.

EASY TROUBLESHOOTING:

In case of switchgear failure, the Pan Assembly Busbar allows for easy troubleshooting. This can significantly reduce downtime and improve system reliability.

PRE-TESTED SHORT CIRCUIT RATING:

The Pan Assembly Busbar comes with a pre-tested short circuit rating. This ensures that it can withstand high currents without failing, providing an additional layer of safety.





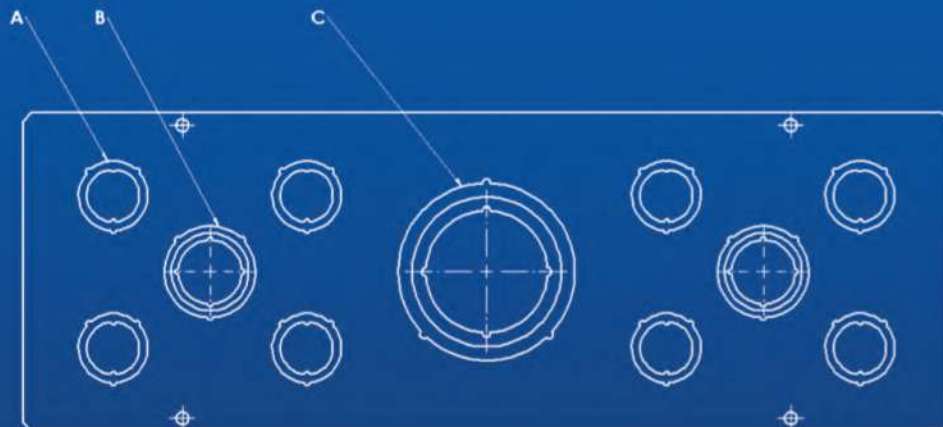
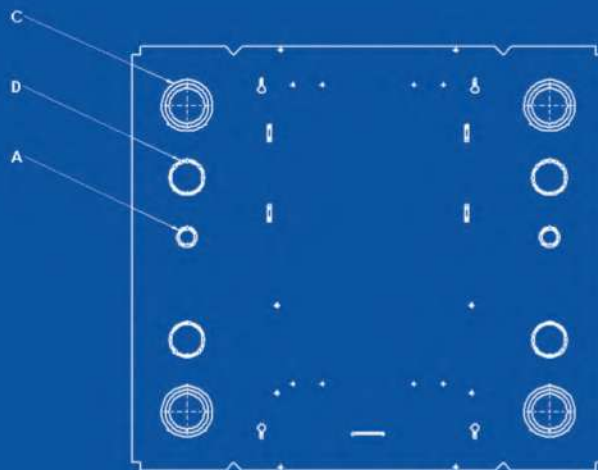
KNOCKOUT DETAILS

A - $\varnothing 19 \varnothing 25$ Double Knock out 20 NOS.

B - $\varnothing 23 \varnothing 28 \varnothing 33$ Triple Knock out 2 NOS.

C - $\varnothing 44 \varnothing 54 \varnothing 64$ Triple Knock out 4 NOS.

D - $\varnothing 38.5 \varnothing 44$ Double Knock out 4 NOS.

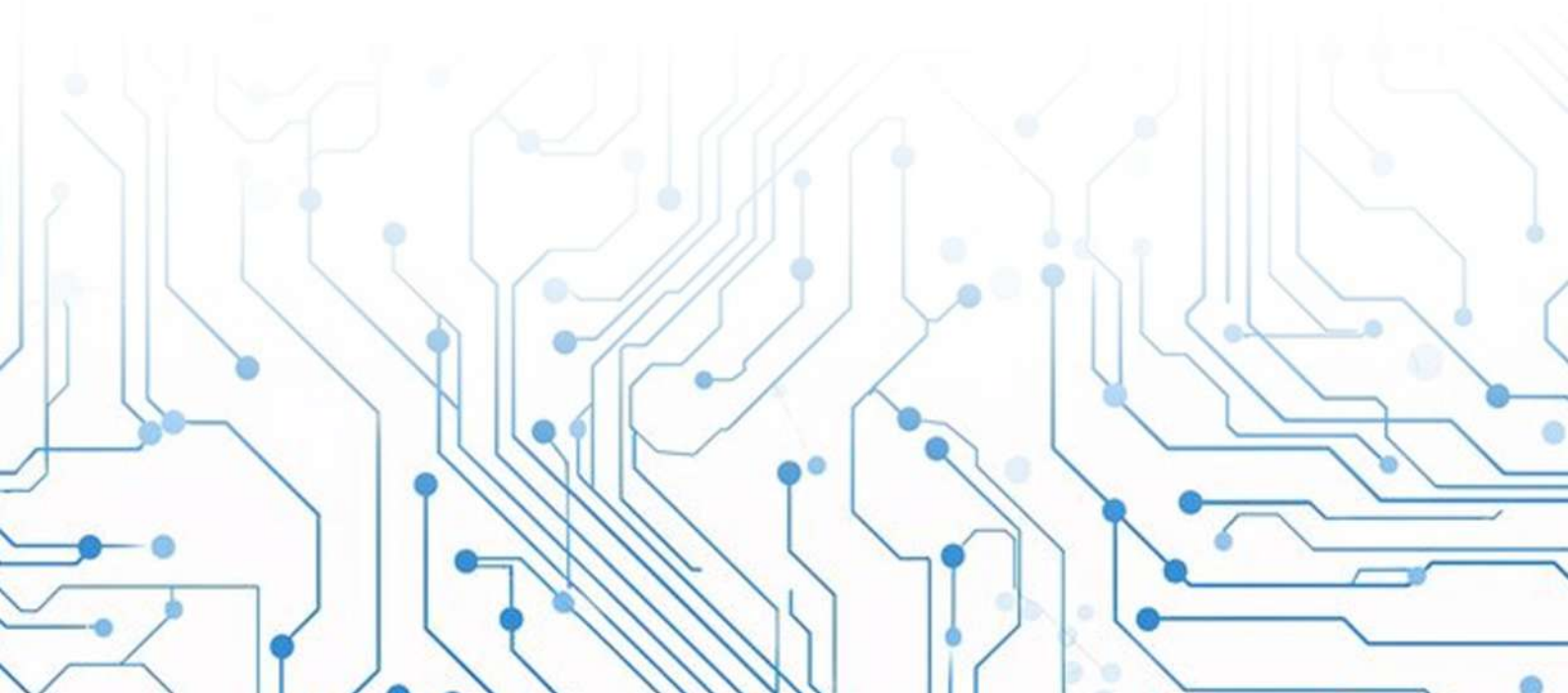




ENERGYA LOAD CENTER DATA SHEET

Technical Data			
Standard	IEC 61439-3		
Rated Voltage	240 / 415 VAC		
Rated Insulation Voltage	500 VAC		
Impulse Voltage Withstand	4 KV		
Overvoltage Category	III		
Ambient Temperature	50 Degree C		
Frequency	50 / 60 Hz		
Busbar Type	Plugin - ETP Copper Tin Plated Fully Shrouded		
Number Of Phase Bars	3P		
Neutral Bar	One In The Side - Equal Quantity Of Outgoing Breakers		
Earth Bar	One In The Side - Equal Quantity Of Outgoing Breakers		
Earthing System	TNS		
Incoming	MCCB 63A / MCCB 100A		
Outgoing	MCB Plugging 6A Up to 63A		
Number Of Ways (1P)	12, 18, 24, 30, 36, 42	48*	54*
Degree Of Protection	IP40	IP54*	
Mechanical Impact Protection	IK 05		
Mounting	Flush Mounted		
Enclosure Material	Galvanized Steel - Anti Corrosion		
Steel Thickness (mm.)	1mm		
Enclosure Colour	Polyester Powder Coated (RAL 9003)		

*Optional on request





ENERGYA LOAD CENTRE PRODUCT SELECTION

NO. OF WAYS	MAIN MCCB RATING	H	h	W	w	D
12	63A, 100A	544	516	379	340	120
18	63A, 100A	619	591	379	340	120
24	63A, 100A	703	666	379	340	120
30	63A, 100A	769	741	379	340	120
36	63A, 100A	844	816	379	340	120
42	63A, 100A	919	891	379	340	120





ENGK (63-100) AMPERES



PRODUCT DESCRIPTION:

Complying to IEC 60947-2,

Ambient Temperature 50°C

Frequency 50/60Hz

Ve 415V

Icu 18kA

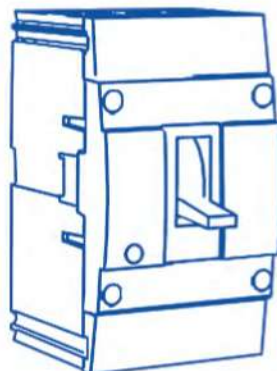
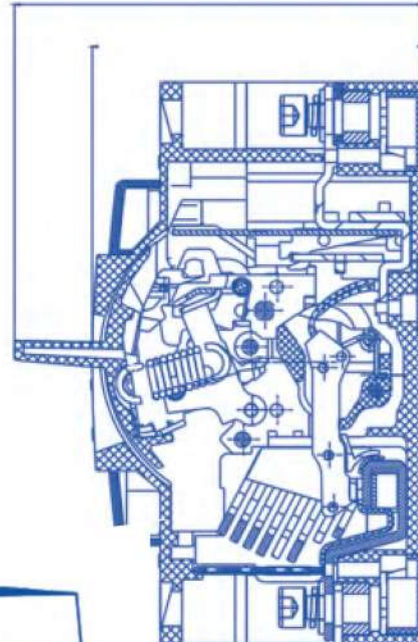
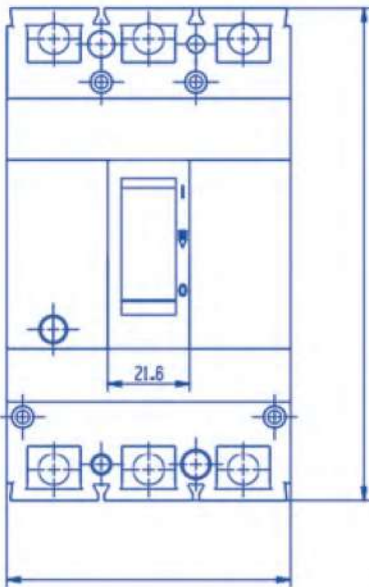
Ics 18kA

Vi 800V

Vimp 6kV

Dimension	H	W	D	Weight Kgs.
3Pole	130	75	76.8	0.8

ENGK-FRAME MCCB 18kA at 415V (FIXED THERMAL & FIXED MAGNETIC) 50°C



PLUG IN TYPE

PLUG-IN IEC60898 CIRCUIT BREAKERS 10KA (240V/415V)

FEATURE

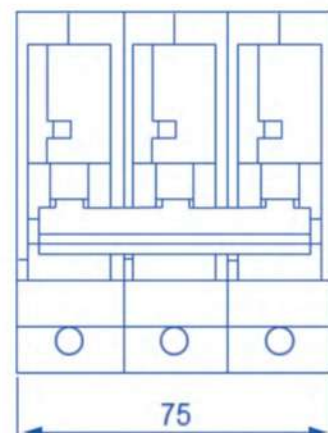
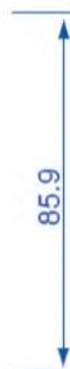
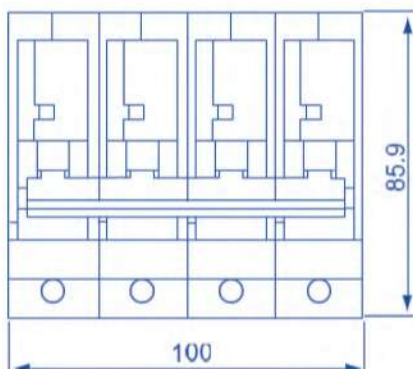
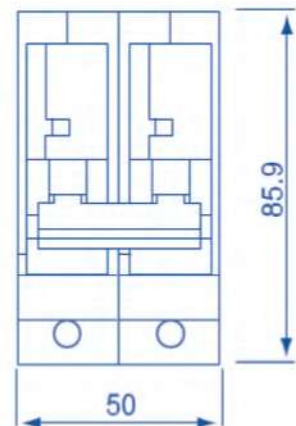
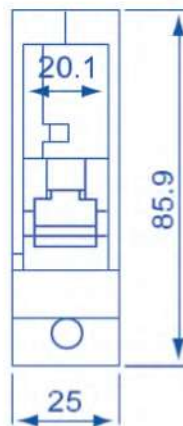
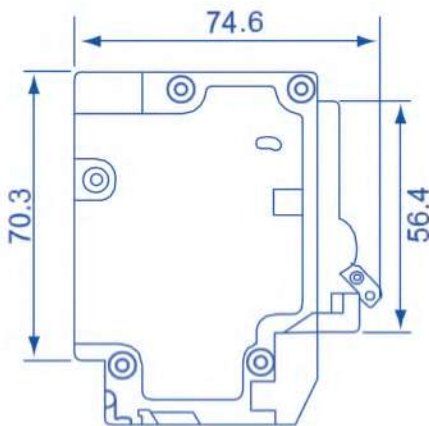
MCB Plug in are available with a breaking capacity of 10kA and calibrated at 50°C.

DESCRIPTION

Protection and control of circuits against overloads & short circuit.



DIMENSIONS





energyya



CONTACT US

☎ +966 12 664 4350

📍 H52P+MF, Baladiya Street, Al-Azizia Dist., P.O.Box 900, Jeddah, Saudi Arabia

✉ info@el-sewedy.com | www.el-sewedy.com